

### Features

- 1/4" (6 mm) thick Crystal Clear tempered glass.
- Frameless design emphasizes glass and creates a sleek, minimalist look.
- Smooth, quiet operation.
- Gently curved inside and outside towel bars complete the look of this door.
- CleanCoat®+ glass coating creates a hydrophobic barrier that repels water, soap scum, and residue, saving time and protecting shower doors 10 times longer than original CleanCoat. (Based on 2021 internal wear/abrasion testing using a microfiber cloth.)

### Material

- Tempered glass ensures maximum safety and durability.
- Anodized aluminum prevents rust and corrosion.

### Installation

- Fits opening widths 54-5/8" – 59-5/8" (1387 – 1514 mm).
- Out-of-plumb adjustability simplifies installation.
- Door can be installed to open to the left or right to suit your bathroom layout.
- For residential use only.
- Not for use in hospitality.

### Recommended Products/Accessories

K-23723 Faucet cleaner

### Included Components

Additional Components:  
Hardware kit



### Codes/Standards




ANSI Z97.1  
CPSC 16CFR 1201

### KOHLER® One-Year Limited Warranty

See website for detailed warranty information.

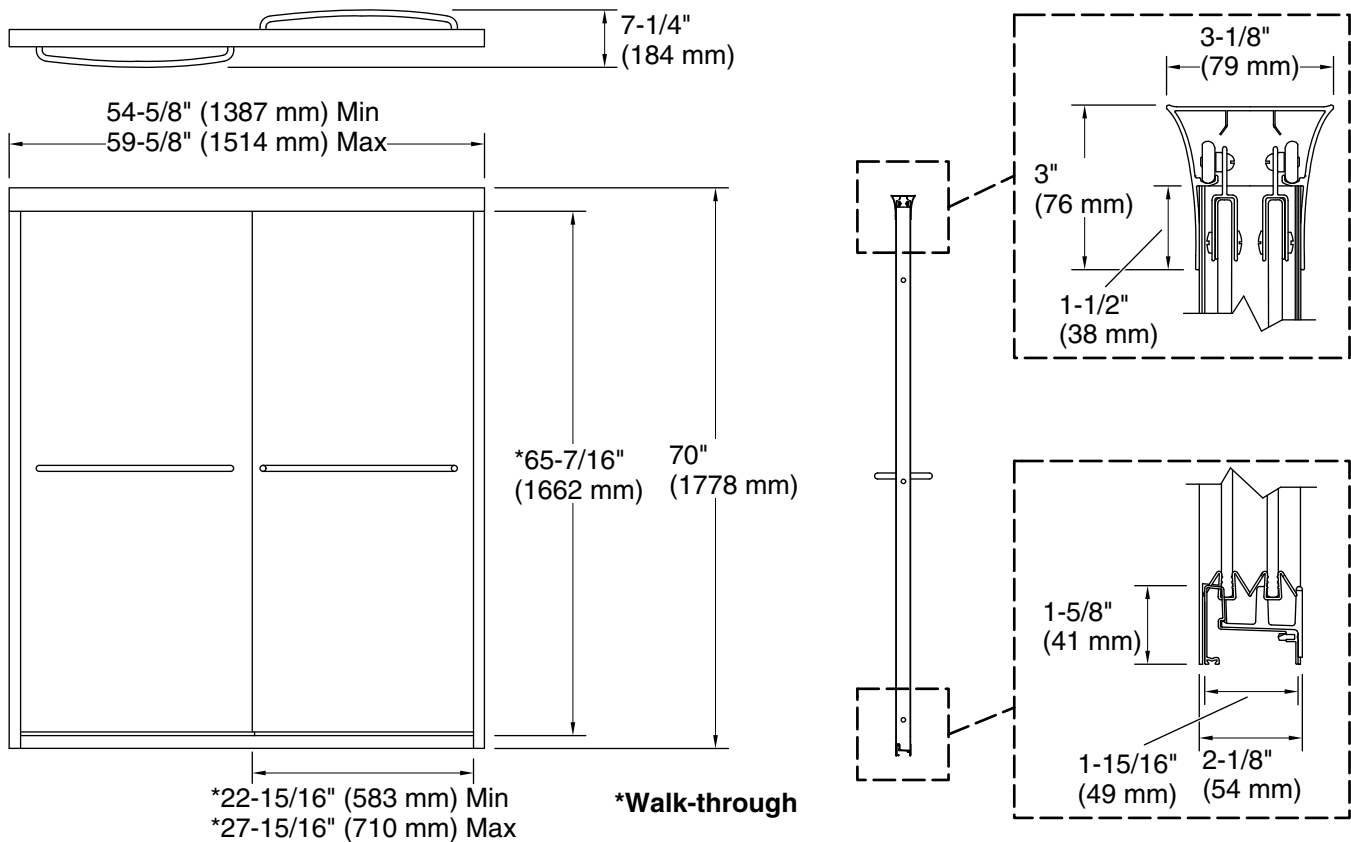
### Available Colors/Finishes

*Color tiles intended for reference only.*

Color	Code	Description
	SHP	Bright Polished Silver
	MX	Matte Nickel
	ABV	Anodized Brushed Bronze

### Available Glass Options

Code	Description
L	Crystal Clear



## Technical Information

All product dimensions are nominal.

Installation type:	For shower base installation
Opening Width - Min:	54-5/8" (1387 mm)
Opening Width - Max:	59-5/8" (1514 mm)
Walk-through - Min:	22-15/16" (583 mm)
Walk-through - Max:	27-15/16" (710 mm)
Glass thickness:	1/4" (6 mm)
Glass coating:	CleanCoat®

## Notes

Install this product according to the installation instructions.

The vertical opening should be a minimum of 72-1/4" (1835 mm) to allow for installation clearance.